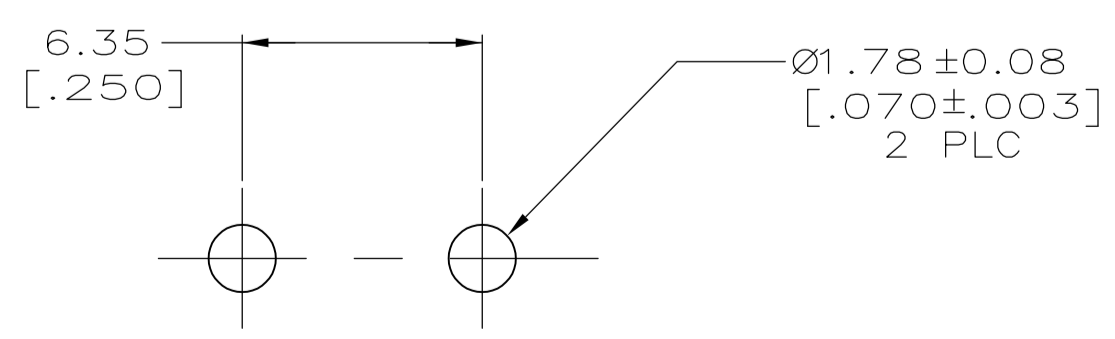
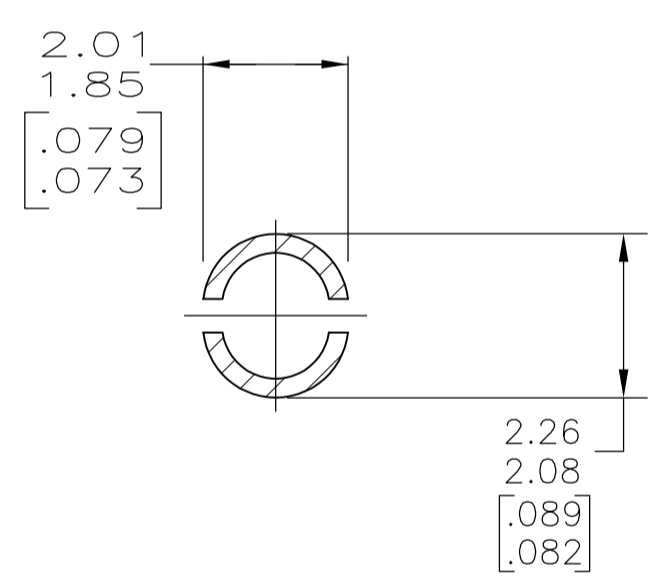
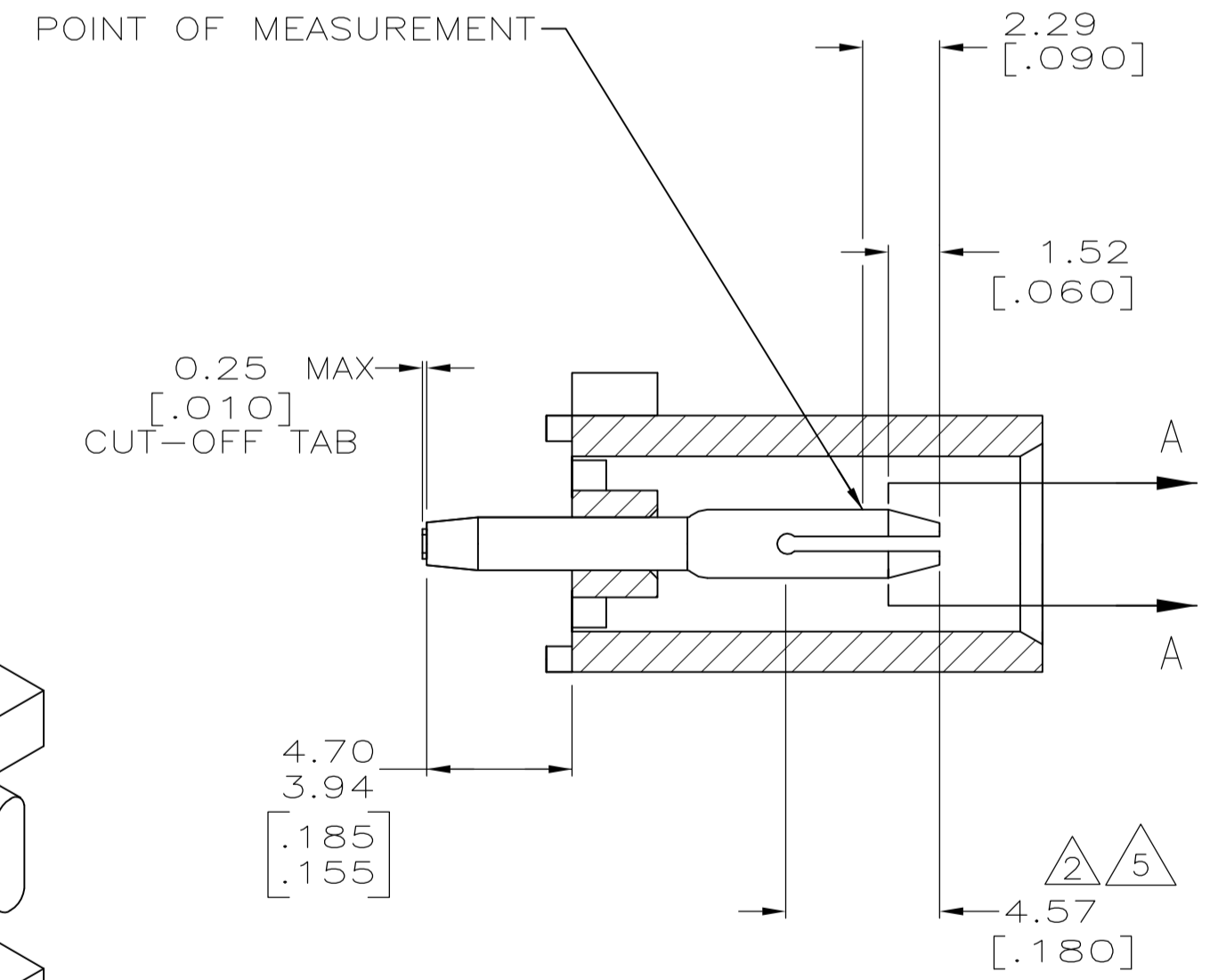
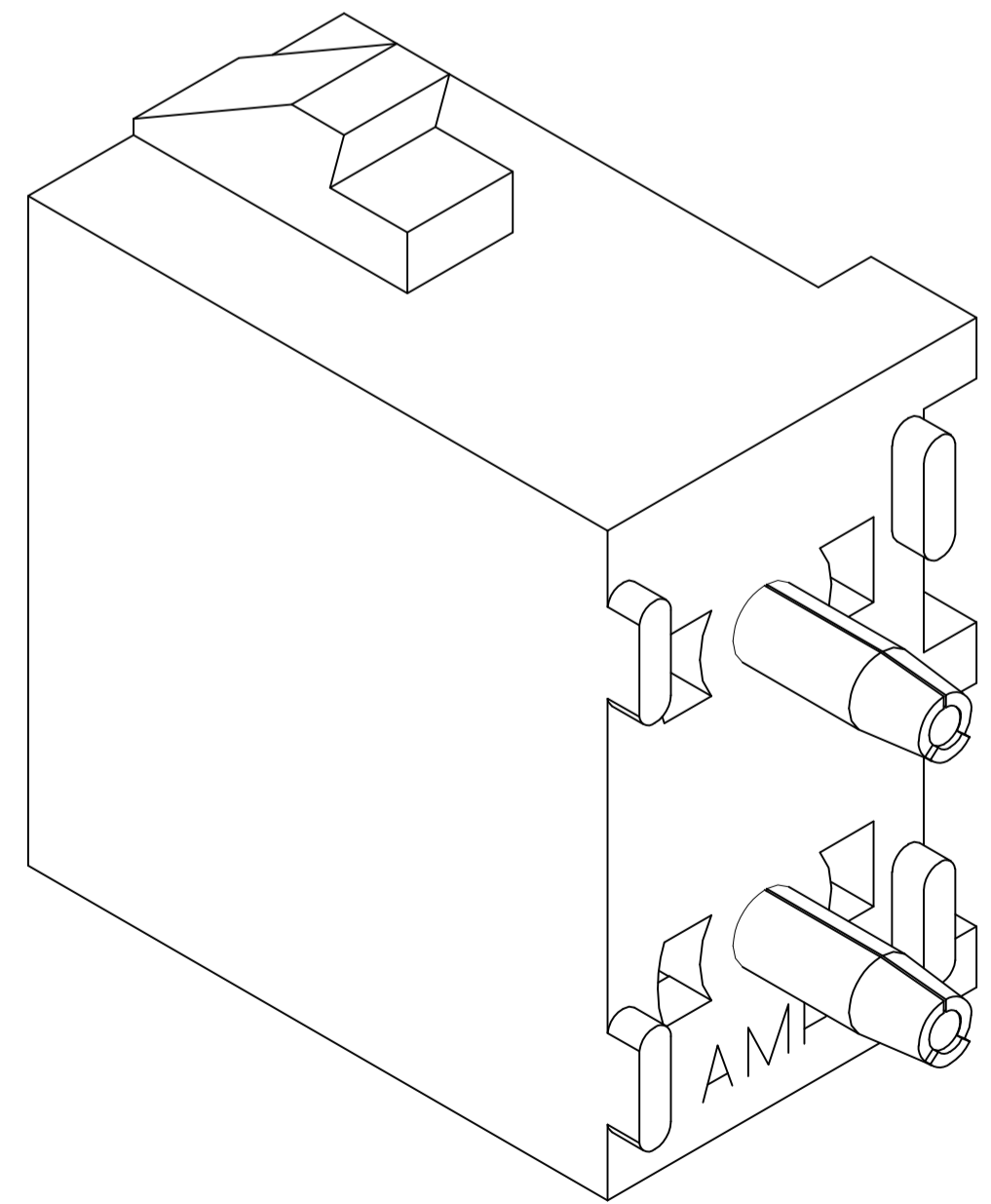


- PARTS COMPLY TO AMP SOLDERABILITY SPECIFICATION 109-11-3.
- CONTACT IS PLATED OVERALL WITH 0.00127 [.000050] NICKEL, THEN 0.00076 [.000030] GOLD OVER CONTACT LENGTH INDICATED AND MATTE TIN-LEAD ON SOLDER TAIL END.
- CIRCUIT IDENTIFICATION CHARACTERS ARE ADJACENT TO THE INDICATED CAVITIES, BUT LOCATION AND ORIENTATION MAY DIFFER FROM PRINT.
- DIMENSIONS IN BRACKETS ARE IN INCHES.
- CONTACT IS PLATED OVERALL WITH 0.00127 [.000050] NICKEL, THEN 0.00076 [.000030] GOLD OVER CONTACT LENGTH INDICATED AND MATTE TIN ON SOLDER TAIL END.



PHOSPHOR BRONZE, PRE-TIN	NYLON, UL94V-0, BLUE	1-350786-6
PHOSPHOR BRONZE, PRE-TIN	NYLON, UL94V-0, RED	1-350786-2
PHOSPHOR BRONZE, GOLD $\Delta 5$	NYLON, UL94V-0, WHITE	350786-3
PHOSPHOR BRONZE, GOLD $\Delta 2$	NYLON, UL94V-0, WHITE	350786-2
PHOSPHOR BRONZE, PRE-TIN	NYLON, UL94V-0, WHITE	350786-1
PIN CONTACT MATERIAL AND FINISH	HOUSING MATERIAL	PART NUMBER

THIS DRAWING IS A CONTROLLED DOCUMENT.

DIMENSIONS: mm [INCHES]	TOLERANCES UNLESS OTHERWISE SPECIFIED:	APVD: S. RIDGILL 24JUN2003	NAME: PIN HEADER ASSEMBLY, 2 CIRCUIT UNIVERSAL MATE-N-LOK(TM)
0 PLC ±	1 PLC ±	APVD: S. RIDGILL 24JUN2003	SIZE: A1
2 PLC ±	3 PLC ± 0.13 [.005]	APPLICATION SPEC	SCALE: 5:1
4 PLC ±	ANGLES ± 0°30'	WEIGHT	SHEET 1 OF 1
MATERIAL SEE TABLE	FINISH SEE TABLE	CUSTOMER DRAWING	REV R1

THIS DRAWING IS A CONTROLLED DOCUMENT. S. CARPENTER 24JUN2003
 S. RIDGILL 24JUN2003
 Tyco Electronics Corporation Harrisburg, PA 17105-3608
 DRAWING NO. 00779 C=350786

